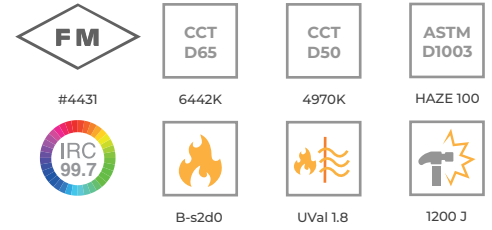
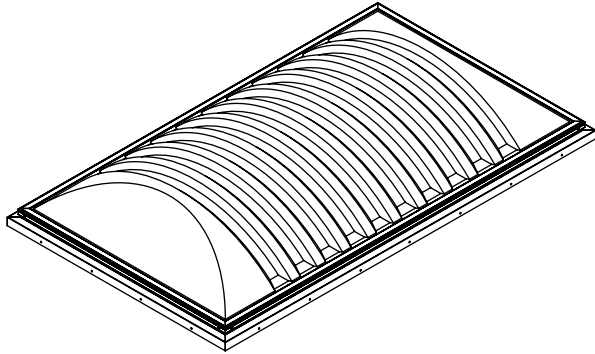


# SUNOPTICS Daylighting

## Datasheet



### Description

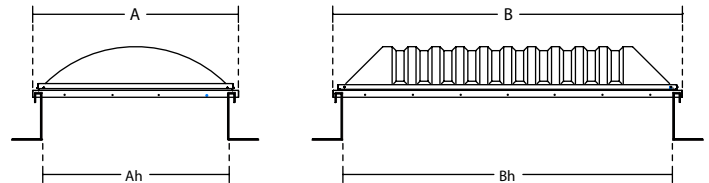
The Sunoptics daylighting system produces a diffused, uniform light on the task area due to its prismatic optics. The frame has a drainage channel to the outside in case of possible condensation.

### Specifications

Optics	Prismatic lenses in polycarbonate
Double layer	Clear layer and white prismatic layer
Finish	Extruded aluminum frame
Sealed	Silicone
Reaction to fire	B-s2d0
Mechanical resistance	1200 J
U-Value	1,8
ASTM D1003	Haze 100
Factory Mutual	#4431
CCT D65	6442K
CCT D50	4970K
CRI	99,7
GAI	97,2

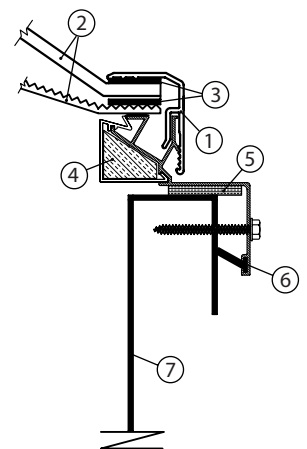
### Sizes

Product	A (mm)	B (mm)	Ah (mm)	Bh (mm)
SUNOPTICS 4040	1302	1302	1220	1220
SUNOPTICS 4070	1302	2216	1220	2130
SUNOPTICS 5060	1616	1921	1530	1840
SUNOPTICS 5080	1607	2521	1520	2440



### Scheme

- 1 Aluminum frame
- 2 Clear + white prismatic layers
- 3 Silicone seal
- 4 Insulated thermal break frame
- 5 Foam curb seal
- 6 Vinyl weather sweep
- 7 Curb



Notes  
Opening for standard curbs.